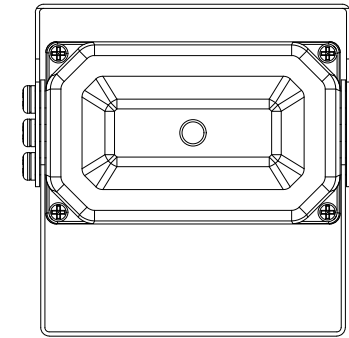
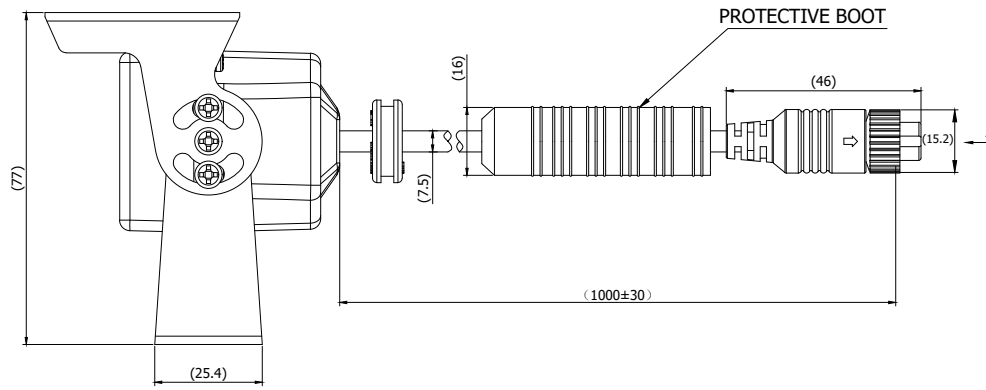
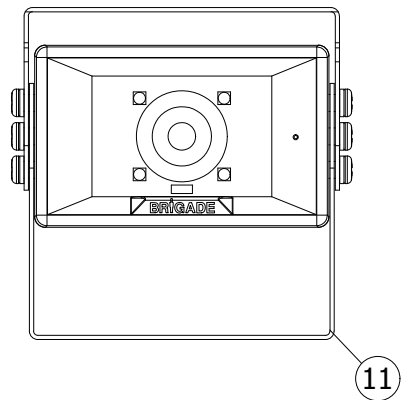
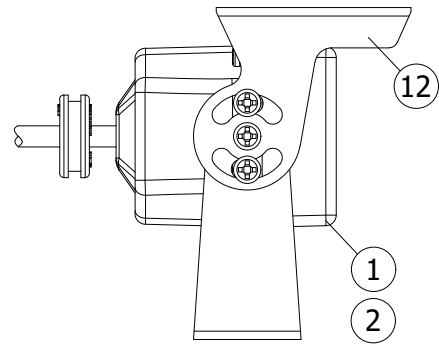
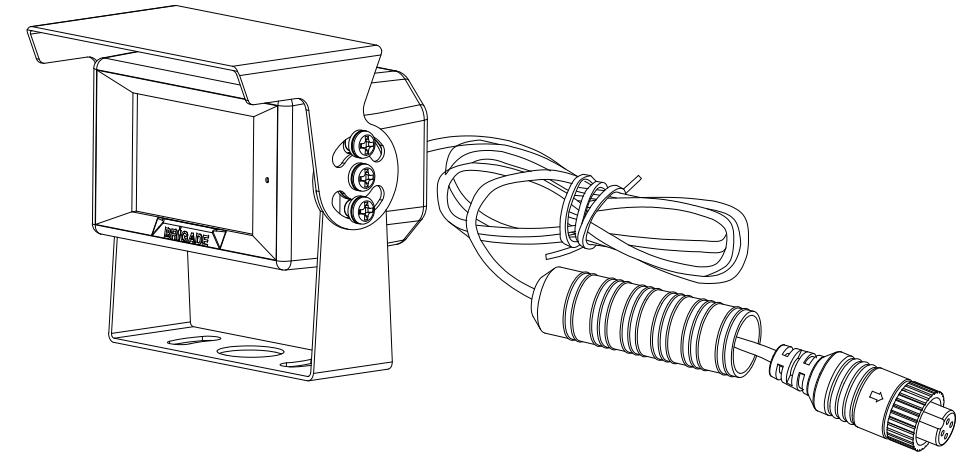
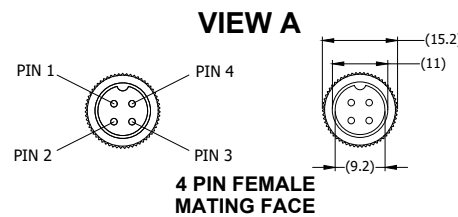
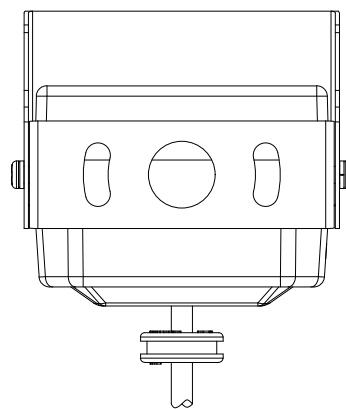


TABLE 1: VBV-7XXXC CAMERA KIT OPTIONS

PART NO.	MODEL NO.	DESCRIPTION
(5464)	VBV-7000C	Select Camera, Audio, HD 720p 25fps
(5465)	VBV-7001C	Select Camera, Audio, HD 720p 30fps
(5468)	VBV-7090C	Select Camera, Waterproof to IP69K - No Audio, HD 720p 25fps
(5469)	VBV-7091C	Select Camera, Waterproof to IP69K - No Audio, HD 720p 30fps
(5466)	VBV-7100C	Select Camera, Audio, HD 1080p 25fps
(5467)	VBV-7101C	Select Camera, Audio, HD 1080p 30fps
(5470)	VBV-7190C	Select Camera, Waterproof to IP69K - No Audio, HD 1080p 25fps
(5471)	VBV-7191C	Select Camera, Waterproof to IP69K - No Audio, HD 1080p 30fps



- 1
- 2
- 3
- 4
- 5
- 6
- 7
- 8



PIN #	WIRE COLOUR	DESCRIPTION
1	RED	+12V
2	BLACK/SHIELD	GND
3	WHITE	AUDIO
4	YELLOW	VIDEO

- NOTES:**
- REFER TO PRODUCT SPECIFICATION FOR PRODUCT SPECIFICATIONS.
 - REFER TO COMPONENT DRAWINGS FOR COMPONENT DETAILS
 - FOR PACKAGING AND LABELLING DETAIL LABEL REFER TO MASTER BOM.

PROPRIETARY NOTICE
 THIS DESIGN AND TECHNICAL INFORMATION APPEARING ON THIS DRAWING IS THE PROPERTY OF BRIGADE ELECTRONICS, AND IS DISCLOSED IN CONFIDENCE. IT IS NOT TO BE COPIED, REPRODUCED, REVEALED TO OR EXPROPRIATED BY OTHERS, EITHER IN WHOLE OR IN PART WITHOUT THE EXPRESS WRITTEN CONSENT OF BRIGADE ELECTRONICS.

Sheet No
1 of 2

BRIGADE[®]
 www.brigade-electronics.com

Assembly PI Approval W.WU (STONKAM)	Approved by R.PENTLEY	Checked by S.LAVER	Drawn by C.WALKER
Angle of Projection 	Units mm	Scale N/A	Released 29/08/19
Status DRAFT	VBV-7XXXC SERIES		
Part No SEE TABLE 1	BE-003943-00-18		

Revision Notes.				
R1 -				
APA: W.WU (STONKAM)	Drawn:-	Checked:-	Approved:-	Date: -

TABLE 2: CAMERA KIT CONTENTS

ITEM	①	②	③	④	⑤	⑥	⑦	⑧	⑨	⑩	⑪	⑫	⑬
PART NO.	5472	5473	5476	5477	5474	5475	5478	5479	5480	5879	3189A	3190A	3191
MODEL NO.	VBV-7000C-C	VBV-7001C-C	VBV-7090C-C	VBV-7091C-C	VBV-7100C-C	VBV-7101C-C	VBV-7190C-C	VBV-7191C-C	VBV-70XXC-IG	VBV-71XXC-IG	VBV-7/1XXC-BKT	VBV-7/1XXC-S	VBV-7/1XXC-FIX
DESCRIPTION	AUDIO / AHD 1.0 720P 25FPS CAMERA	AUDIO / AHD 1.0 720P 30FPS CAMERA	NO AUDIO / AHD 1.0 720P 25FPS CAMERA	NO AUDIO / AHD 1.0 720P 30FPS CAMERA	AUDIO / AHD 2.0 1080P 25FPS CAMERA	AUDIO / AHD 2.0 1080P 30FPS CAMERA	NO AUDIO / AHD 2.0 1080P 25FPS CAMERA	NO AUDIO / AHD 2.0 1080P 30FPS CAMERA	VBV-70XXC SERIES INSTALLATION GUIDE (NOT SHOWN)	VBV-71XXC SERIES INSTALLATION GUIDE (NOT SHOWN)	VBV-7/1XXC SERIES BRACKET	VBV-7/1XXC SERIES SUNSHIELD	VBV-7/1XXC SERIES FIXING KIT
VBV-7000C	QTY. 1	-	-	-	-	-	-	-	1	-	1	1	1
VBV-7001C	QTY. -	1	-	-	-	-	-						
VBV-7090C	QTY. -	-	1	-	-	-	-						
VBV-7091C	QTY. -	-	-	1	-	-	-						
VBV-7100C	QTY. -	-	-	-	1	-	-	-	1	1	1	1	
VBV-7101C	QTY. -	-	-	-	-	1	-						
VBV-7190C	QTY. -	-	-	-	-	-	1						
VBV-7191C	QTY. -	-	-	-	-	-	-	1					

NOTES:

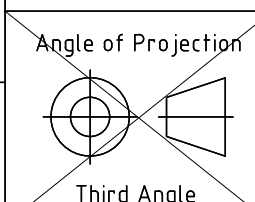
- REFER TO PRODUCT SPECIFICATION FOR PRODUCT SPECIFICATIONS.
- REFER TO COMPONENT DRAWINGS FOR COMPONENT DETAILS
- FOR PACKAGING AND LABELLING DETAIL LABEL REFER TO MASTER BOM.

PROPRIETARY NOTICE

THIS DESIGN AND TECHNICAL INFORMATION APPEARING ON THIS DRAWING IS THE PROPERTY OF BRIGADE ELECTRONICS, AND IS DISCLOSED IN CONFIDENCE. IT IS NOT TO BE COPIED, REPRODUCED, REVEALED TO OR EXPROPRIATED BY OTHERS, EITHER IN WHOLE OR IN PART WITHOUT THE EXPRESS WRITTEN CONSENT OF BRIGADE ELECTRONICS.

Sheet No
2 of 2

BRIGADE[®]
www.brigade-electronics.com

Assembly PI Approval W.WU (STONKAM)	Approved by R.PENTLEY	Checked by S.LAVER	Drawn by C.WALKER
 <p>Angle of Projection</p> <p>Third Angle</p>	Units mm	Scale N/A	Released 29/08/19
	Status DRAFT	VBV-7XXXC SERIES	
	Part No SEE TABLE 1	BE-003943-00-18	